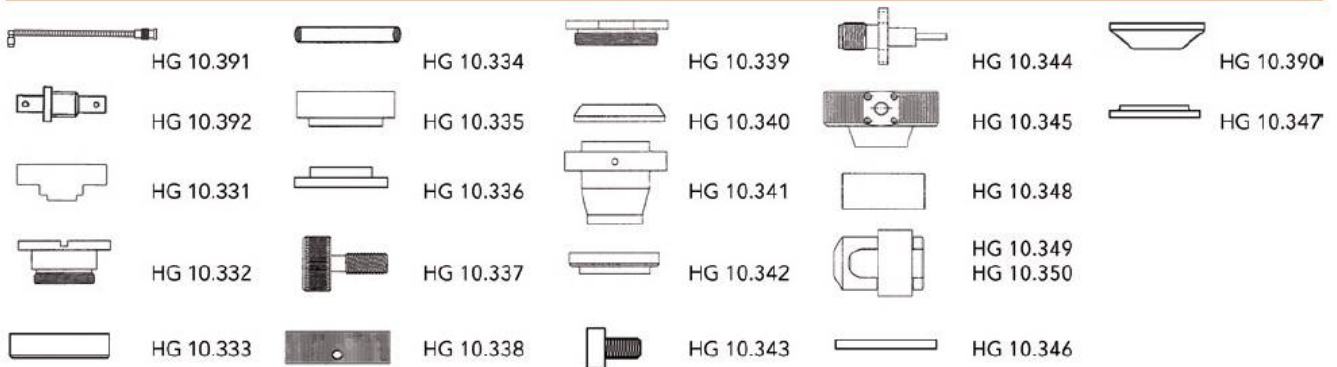


REPLACEMENT PARTS SUITABLE FOR MAZAK®

MAZAK® XT510 HI-PRO, NTX48, TURBO 10KW, SUPER TURBO 15KW,
SUPER TURBO HI-PRO 20KW, SUPER TURBO X510 HI-PRO



Part No.	Ref. No.	Description	Std. Pkg.	Part No.	Ref. No.	Description	Std. Pkg.
HG10.330	HG10.330	Complete nozzle holder	1 pc	HG10.342	46683301130	PTFE spacer 24 x 4mm	1 pc
HG10.391	46683301980	Connecting cable for sensor head	1 pc	HG10.345	46683301140	Housing	1 pc
HG10.392	46683301400	Cable adapter	1 pc	HG10.344	46683301170	Connector	1 pc
HG10.331	46683301230	Plate	1 pc	HG10.343	46683300000	Screw M2,5 x 4mm	1 pc
HG10.332	46683301110	Bracket	1 pc	HG10.348	46683301850	PTFE fastener	1 pc
HG10.333	46683301080	PTFE spacer 27 x 5,5mm	1 pc	HG10.349	46683301860	Cable holder	1 pc
HG10.334	46603350001	O-Ring 31 x 2mm	1 pc	HG10.350	46683301870	Cover	1 pc
HG10.335	46683301070	Base	1 pc	HG10.346	46683301150	PTFE spacer 17 x 1,5mm	1 pc
HG10.336	46683301090	PTFE spacer 30 x 4mm	1 pc	HG10.390	46683301930	PTFE spacer	1 pc
HG10.337	46683300032	Screw M5 x 0,5mm	1 pc	HG10.347	46683301160	Ring	1 pc
HG10.338	46683300930	Ring	1 pc	HG10.353	HG10.353	Complete nozzle holder	1 pc
HG10.339	46683301100	Bracket	1 pc	HG10.355	46523300080	Base	1 pc
HG10.340	46683301120	PTFE spacer 24 x 3mm	1 pc	HG10.304	46603350510	Nozzle-adapter	1 pc
HG10.341	46683300850	Nozzle holder	1 pc	HG10.311	46683300030	Retainer	1 pc



HG 10.650-659



HG 10.650/C-659/C

Standard copper nozzles / Standard copper nozzles with hard chromium plating

Part No.	Ref. No.	Description	Std. Pkg.	Part No.	Ref. No.	Description	Std. Pkg.
HG10.650	46683301950-0.8	Nozzle 0,8 mm	10 pcs	HG10.650/C	46683301950-08CP	Nozzle 0,8 mm HCP	10 pcs
HG10.651	46683301950-1.0	Nozzle 1,0 mm	10 pcs	HG10.651/C	4668330195010CP	Nozzle 1,0 mm HCP	10 pcs
HG10.652	46683301950-1.2	Nozzle 1,2 mm	10 pcs	HG10.652/C	4668330195012CP	Nozzle 1,2 mm HCP	10 pcs
HG10.653	46683301950	Nozzle 1,5 mm	10 pcs	HG10.653/C	46683301950CP	Nozzle 1,5 mm HCP	10 pcs
HG10.654	46683301821	Nozzle 2,0 mm	10 pcs	HG10.654/C	46683301821CP	Nozzle 2,0 mm HCP	10 pcs
HG10.655	46683301821-2.2	Nozzle 2,2 mm	10 pcs	HG10.655/C	4668330182122CP	Nozzle 2,2 mm HCP	10 pcs
HG10.656	46683301960	Nozzle 2,5 mm	10 pcs	HG10.656/C	46683301960CP	Nozzle 2,5 mm HCP	10 pcs
HG10.657	46683301970	Nozzle 3,0 mm	10 pcs	HG10.657/C	46683301970CP	Nozzle 3,0 mm HCP	10 pcs
HG10.658	HG10.658	Nozzle 3,5 mm	10 pcs	HG10.658/C	HG10.658CP	Nozzle 3,5 mm HCP	10 pcs
HG10.659	HG10.659	Nozzle 4,0 mm	10 pcs	HG10.659/C	HG10.659CP	Nozzle 4,0 mm HCP	10 pcs

MAZAK® LASER CNC L32 PLUS SUPER CHARGE, XT510, NTX48, TURBO 10KW, SUPER TURBO 15KW, SUPER TURBO 20KW HI-PRO, SUPER TURBO X510 HI-PRO



HG 10.660



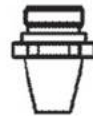
HG 10.660/C - 666/C

Double copper nozzles / Double copper nozzles with hard chromium plating

Part No.	Ref. No.	Description	Std. Pkg.	Part No.	Ref. No.	Description	Std. Pkg.
HG10.660	HG10.660	Double-Nozzle 1,0 mm	10 pcs	HG10.660/C	HG10.660CP	Double-Nozzle 1,0 mm HCP	10 pcs
HG10.661	HG10.661	Double-Nozzle 1,2 mm	10 pcs	HG10.661/C	HG10.661CP	Double-Nozzle 1,2 mm HCP	10 pcs
HG10.662	HG10.662	Double-Nozzle 1,5 mm	10 pcs	HG10.662/C	HG10.662CP	Double-Nozzle 1,5 mm HCP	10 pcs
HG10.663	HG10.663	Double-Nozzle 2,0 mm	10 pcs	HG10.663/C	HG10.663CP	Double-Nozzle 2,0 mm HCP	10 pcs
HG10.664	HG10.664	Double-Nozzle 2,2 mm	10 pcs	HG10.664/C	HG10.664CP	Double-Nozzle 2,2 mm HCP	10 pcs
HG10.665	HG10.665	Double-Nozzle 2,5 mm	10 pcs	HG10.665/C	HG10.665CP	Double-Nozzle 2,5 mm HCP	10 pcs
HG10.666	HG10.666	Double-Nozzle 3,0 mm	10 pcs	HG10.666/C	HG10.666CP	Double-Nozzle 3,0 mm HCP	10 pcs



HG 10.323 - 326



HG 10.475 - 482

Adapter copper nozzles / Adapter copper nozzles with hard chromium plating

Part No.	Ref. No.	Description	Std. Pkg.	Part No.	Ref. No.	Description	Std. Pkg.
HG10.323	46603350508K	Adapter nozzle 0,8mm	10 pcs	HG10.323/C	46603350508CPK	Adapter nozzle 0,8mm HCP	10 pcs
HG10.307	46603350511K	Adapter nozzle 1,0mm	10 pcs	HG10.307/C	46603350511CPK	Adapter nozzle 1,0mm HCP	10 pcs
HG10.309	46603350512K	Adapter nozzle 1,2mm	10 pcs	HG10.309/C	46603350512CPK	Adapter nozzle 1,2mm HCP	10 pcs
HG10.310	46603350515K	Adapter nozzle 1,5mm	10 pcs	HG10.310/C	46603350515CPK	Adapter nozzle 1,5mm HCP	10 pcs
HG10.324	46603350517K	Adapter nozzle 1,7mm	10 pcs	HG10.324/C	46603350517CPK	Adapter nozzle 1,7mm HCP	10 pcs
HG10.318	46603350520K	Adapter nozzle 2,0mm	10 pcs	HG10.318/C	46603350520CPK	Adapter nozzle 2,0mm HCP	10 pcs
HG10.308	46603350525K	Adapter nozzle 2,5mm	10 pcs	HG10.308/C	46603350525CPK	Adapter nozzle 2,5mm HCP	10 pcs
HG10.325	46603350530K	Adapter nozzle 3,0mm	10 pcs	HG10.325/C	46603350530CPK	Adapter nozzle 3,0mm HCP	10 pcs
HG10.303	46603350535K	Adapter nozzle 3,5mm	10 pcs	HG10.303/C	46603350535CPK	Adapter nozzle 3,5mm HCP	10 pcs
HG10.326	46603350540K	Adapter nozzle 4,0mm	10 pcs	HG10.326/C	46603350540CPK	Adapter nozzle 4,0mm HCP	10 pcs
HG10.475	46603350508H	Adapter-6-edgenozzle 0,8mm	10 pcs	HG10.475/C	46603350508CPH	Adapter-6-edge nozzle 0,8mm HCP	10 pcs
HG10.476	46603350511H	Adapter-6-edgenozzle 1,0mm	10 pcs	HG10.476/C	46603350511CPH	Adapter-6-edge nozzle 1,0mm HCP	10 pcs
HG10.477	46603350512H	Adapter-6-edgenozzle 1,2mm	10 pcs	HG10.477/C	46603350512CPH	Adapter-6-edge nozzle 1,2mm HCP	10 pcs
HG10.478	46603350515H	Adapter-6-edgenozzle 1,5mm	10 pcs	HG10.478/C	46603350515CPH	Adapter-6-edge nozzle 1,5mm HCP	10 pcs
HG10.479	46603350517H	Adapter-6-edgenozzle 1,7mm	10 pcs	HG10.479/C	46603350517CPH	Adapter-6-edge nozzle 1,7mm HCP	10 pcs
HG10.480	46603350520H	Adapter-6-edgenozzle 2,0mm	10 pcs	HG10.480/C	46603350520CPH	Adapter-6-edge nozzle 2,0mm HCP	10 pcs
HG10.481	46603350525H	Adapter-6-edgenozzle 2,5mm	10 pcs	HG10.481/C	46603350525CPH	Adapter-6-edge nozzle 2,5mm HCP	10 pcs
HG10.482	46603350530H	Adapter-6-edgenozzle 3,0mm	10 pcs	HG10.482/C	46603350530CPH	Adapter-6-edge nozzle 3,0mm HCP	10 pcs